

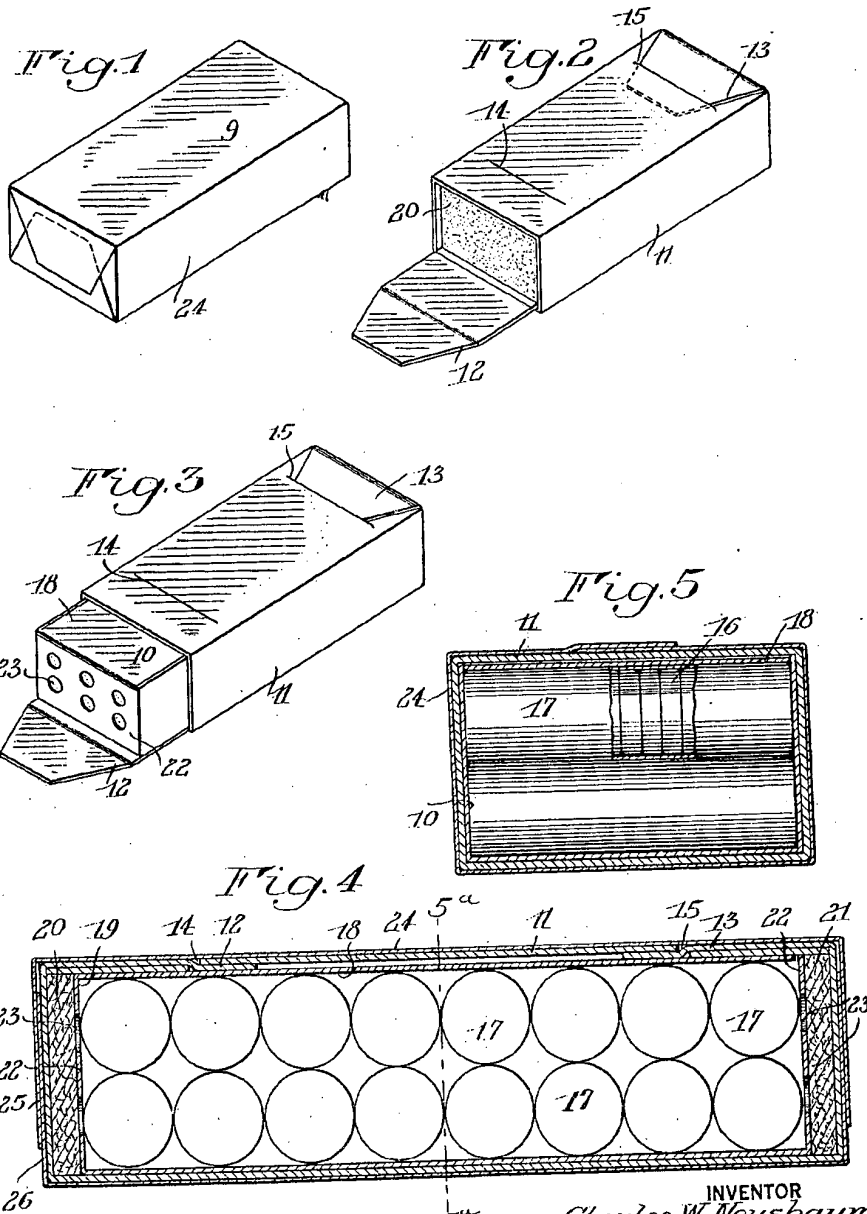
Jan. 24, 1928.

1,657,272

C. W. NEUSBAUM

CONTAINER FOR PRESERVING FOODS

Filed May 26, 1926



INVENTOR
Charles W. Neusbaum
BY *Amptner & Hiffert*
his ATTORNEYS

the time of packing will, when liberated, be absorbed by the impregnated pads so that the contents of the box will be held in a thoroughly dry atmosphere. Absorption of the moisture from the box is assured by perforating the end walls 22 of the inner casing as shown at 23 in Figures 3 and 4 which facilitates the passage of the moisture to the pads, allowing it to pass directly to the same without having to penetrate any intervening material. The perforations are preferably made relatively large and the number provided may be varied as desired.

The container formed by the inner and outer casings 10 and 11 is completely sealed and protected by a wrapper 24, the marginal portions of which are overlapped and secured by suitable adhesive material or in any manner desired. The wrapper 24 may be of wax tissue or any suitable paper or fabric treated to prevent the passage of moisture therethrough so that no moisture will be permitted to enter the box after it has been packed and sealed.

The various parts of the box or container shown may be quickly assembled, the box being particularly designed with this idea in view. In completing the package, the rolls 17 are placed in the casing 10 and the cover 18 closed over the same. Previous to positioning the inner casing within the outer casing, the pad 21 is placed in the rear end of the latter, after which said inner casing is inserted through the open end of the outer casing and moved to the position indicated in Fig. 4. The pad 20 is then placed against the outer end of the inner casing and the flap 12 closed.

The moisture-proof wrapper is then applied and sealed, thus completing the package. The container, therefore, includes three enclosures whereby the contents of the package are extremely well protected, the wrapper or outer enclosure being of a nature to prevent any moisture from entering the package and the hygroscopic material being adapted to directly absorb the moisture from the air confined within the inner casing through the openings formed in the sides or ends of the latter.

What I claim is:—

1. A food preserving container comprising inner and outer casings, pads disposed between the wall of said casings and impregnated with material having hygroscopic

properties whereby to absorb moisture from the contents of the container and a sealed wrapper of moisture-proof material surrounding the container.

2. A food preserving container comprising inner and outer casings spaced apart at their ends, the inner casing forming a receptacle for food products and having its ends perforated and pads disposed between the spaced ends of the casings and impregnated with material having hygroscopic properties.

3. A food preserving container comprising inner and outer casings spaced apart at their ends, the inner casing forming a receptacle for food products and having its ends perforated, sheets of porous material disposed between the spaced ends of the casings and impregnated with material having hygroscopic properties, and a sealed wrapper of moistureproof material surrounding the container.

4. A food preserving container comprising a casing having an adjustable closure at one end, a food holding receptacle adapted to be inserted in and removed from said casing by a sliding movement through said end, said receptacle having perforations in its end walls and pads disposed between said perforated end walls and the ends of said casing, the pads being impregnated with hygroscopic material whereby to absorb moisture from the contents of the receptacle through said perforations.

5. A food preserving container comprising a casing having an adjustable closure at one end, a food holding receptacle adapted to be inserted within and removed from said casing through said end, said receptacle being shorter than the casing, pads of fibrous material disposed between the ends of the receptacle and the casing, said pads being impregnated with material having hygroscopic properties and a sealed wrapper of moisture-proof material surrounding the container.

6. A food preserving container comprising inner and outer casings each provided with an end closure flap, perforations in the closure flap of the inner container, said inner container being shorter than said outer container whereby a space is provided within the end of the outer container and a pad impregnated with hygroscopic material inserted in said space.

CHARLES W. NEUSBAUM.



Creation date: 09-22-2003
Indexing Officer: TLO - TRUC P LO
Team: OIPEBackFileIndexing
Dossier: 09661171

Legal Date: 03-20-2002

No.	Doccode	Number of pages
1	SRNT	53

Total number of pages: 53

Remarks:

Order of re-scan issued on